



# UPPERSTAGE ENGINEERING

light bridge and fly bar  
at lower height machinery room  
with maximum performance

## LINE SHAFT WINCH

### TECHNICAL SPECIFICATION

- Drum diameter: 210 mm
- Speed: Variable between 0.2-1.0 m/s
- Lifting Capacity: up to 900 kg
- Power transmission: chain coupling – cardan shaft
- 5 mm steel rope 18x7

### SAFETY ELEMENTS

- Lower and Upper limit switches
- Upper and lower safety switch
- Built-in magnetic brake
- Internal magnetic double brake (optional)
- External magnetic tail brake (optional)
- Overload detection (optional)
- Position feedback (optional)

### BAR

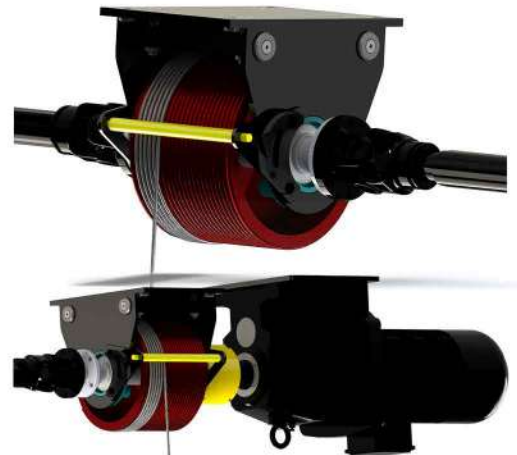
- Steel truss
- Aluminum truss (optional)

### CONTROL

- Feeding with frequency inverter over the stage mechanical systems power panel
- iOS tablet control
- Touch panel control

### CABLE CONTROL

- Cable drum
- Aluminum cable scissors (optional)



### PRECISION CONTROL



### PORTABLE BAR MECHANISM



STAGE engineering

info@galrasahne.com.tr

www.galrasahne.com